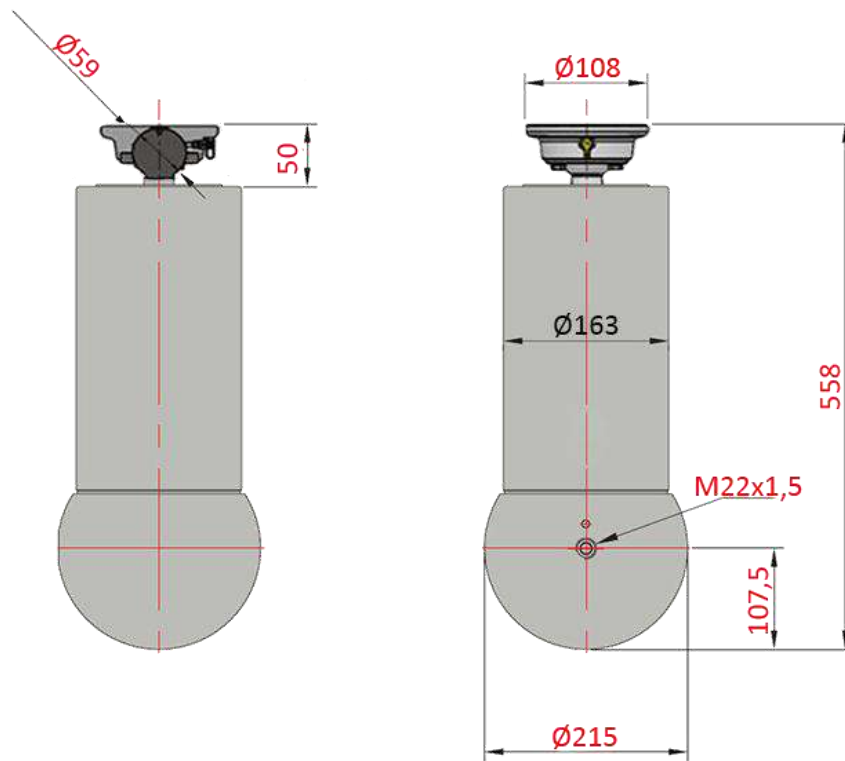


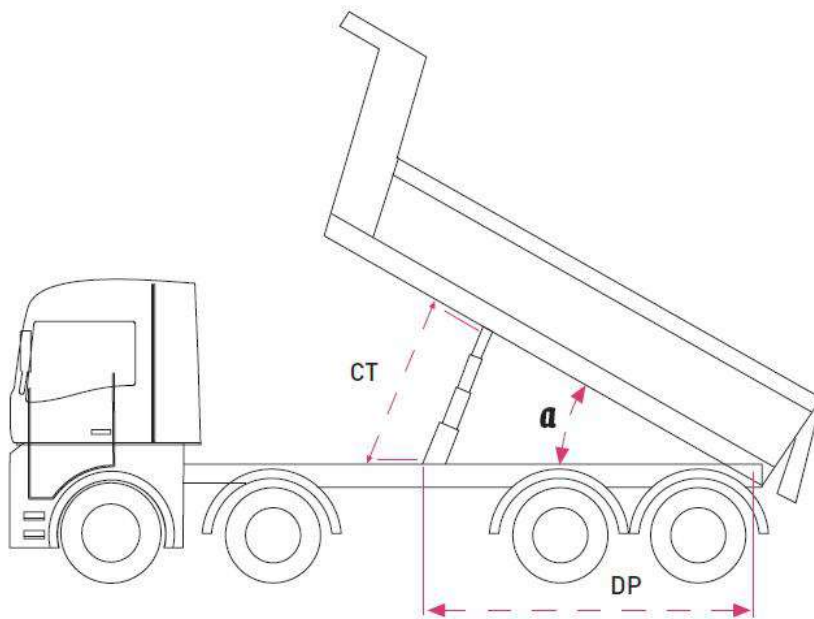
## 13875

## [mm]



Šifra / Code		<b>13875</b>
Max. tlak / Max. pressure	[bar]	190
Skupna dolžina / Open length	[mm]	2208
Prostornina olja / Oil volume	[lit]	15
Priključni navoj / Inlet thread		M22x1,5
Delovna temp. olja / Oil temp. range	[°C]	-20 / 80
Nosilnost pri 180 bar / Max. thrust at 180 bar	[t]	27,2
Hod cilindra / Total stroke	[mm]	1650
Skrčena dolžina / Closed length	[mm]	558
Stopenj / Extensions		5
Teža / Weight	[kg]	80

Stopnja / Extension	1	2	3	4	5
Premer / Diameter [mm]	135	115	95	75	55
Hod / Stroke [mm]	350	340	330	320	310
Max. nosilnost / Max. thrust	27,2	19,7	13,5	8,4	4,5



CT (HOD – STROKE – 1650mm)					
$\alpha^\circ$	40°	45°	50°	55°	60°
DP	2475	2200	1980	1800	1650